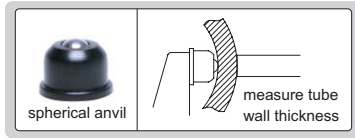
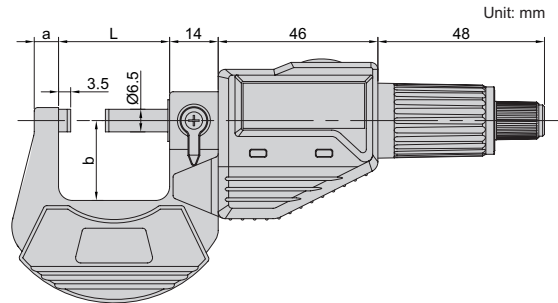


DIGITAL OUTSIDE MICROMETER

DATA
OUTPUT



3109-25B



(mm)

| Code | Range | Accuracy | L | a | b |
|------------|---------------|----------|-------|-----|----|
| 3109-25B* | 0-25mm/0-1" | ±2µm | 31.5 | 7.0 | 23 |
| 3109-50B* | 25-50mm/1-2" | ±2µm | 57.0 | 8.7 | 32 |
| 3109-75B* | 50-75mm/2-3" | ±3µm | 82.5 | 7.5 | 44 |
| 3109-100B* | 75-100mm/3-4" | ±3µm | 106.5 | 8.2 | 56 |

* Supplied with manufacturer calibration certificate

- Resolution 0.001mm/0.00005"
- Button function: on/off, set, mm/inch, ABS/INC
- Data output
- Battery CR2032, automatic power off
- Carbide measuring faces
- Ratchet friction thimble
- Supplied with spherical anvil
- Setting standards are included (except 0-25mm/0-1")
- Optional accessory: data output system

