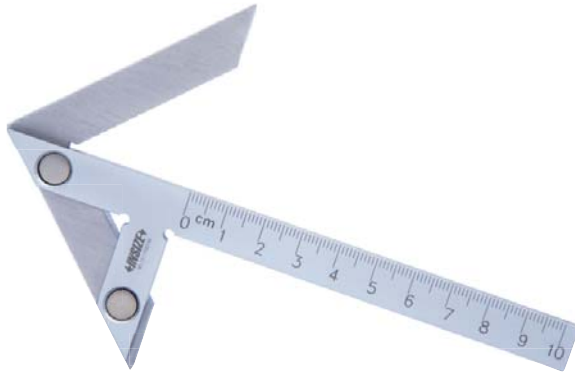
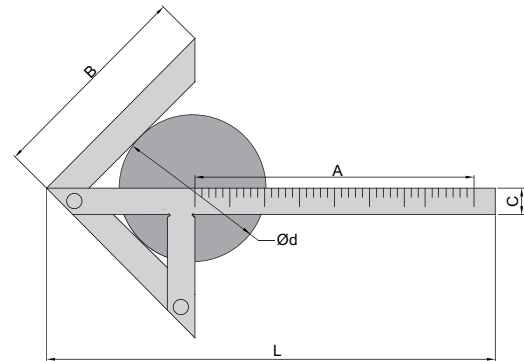
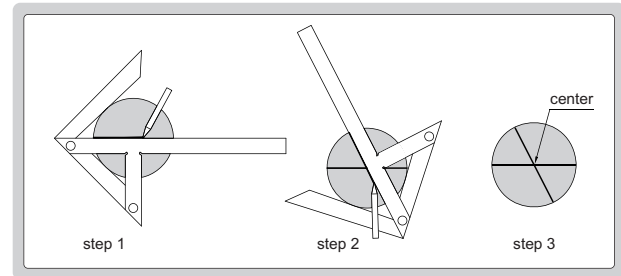


CENTER MARKING GAGE



7205-100

- Marking the center of round plates and shafts
- Made of stainless steel
- Satin chrome plated



| Code | Size (AxB) | Diameter of shafts (Ød) | Accuracy | (mm) | |
|----------|------------|-------------------------|----------|------|-----|
| | | | | C | L |
| 7205-100 | 100X70mm | 4 - 90mm | ±0.15mm | 12 | 153 |
| 7205-150 | 150x130mm | 4 - 190mm | ±0.15mm | 15 | 245 |
| 7205-200 | 200x150mm | 6 - 220mm | ±0.15mm | 15 | 310 |