



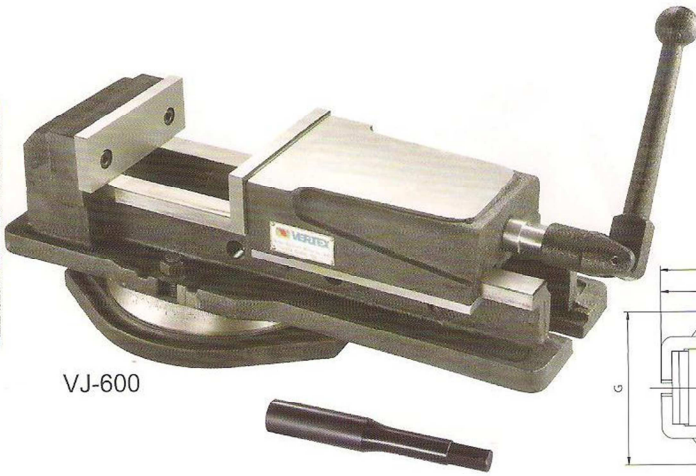
Super Open Vise



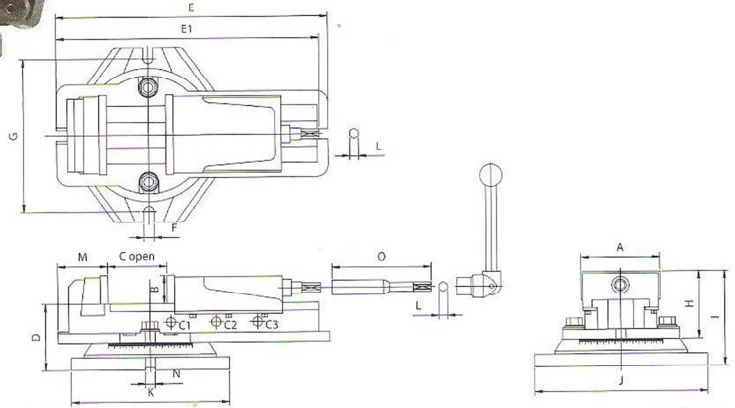
MECHANICAL TYPE

EXCEPT THE HYDRAULIC SYSTEM,
THE FEATURE IS SAME AS VH-TYPE
ACCURACE WITHIN 0.02mm

VJ-400 JAW OPENED 190mm
VJ-500 JAW OPENED 235mm
VJ-600 JAW OPENED 310mm



VJ-600



Unit:mm

Order No. & Dimensions

ORDER NO.	A	B	C OPEN	Opening Size For Capacity			D	E	E1	F	G	H	I	J	K	L	M	N	O	Max. Clamp Force (kgs)	G.W. (kgs)	CFT (cm)	CODE NO.
				C1	C2	C3																	
				VJ-400	110	38																	
VJ-500	132	48	235	0-78	70-158	150-235	110	455	580	17	255	113	158	290	265	14.5	85	16	166	1500	34	48x28x18	1002-051
VJ-600	154	56	310	0-111	97-211	197-310	118	546	722	17	255	131	175	290	265	19	111	16	200	1500	46	57x30x22	1002-052